

规格确认书

SPECIFICATION

客 户

CUSTOMER: _____

客户料号

CUSTOMER P/N: _____

物料名称

绕线功率电感

MODEL NO :

Wire Wound SMD Power Inductors

料号

RPCD 系列

P/N :

RPCD series

文件编号

FILE NO :

23-07

日期 : 2023-07-06

承办人 : 刘俊

DATE : July 06, 2023

ISSUEDER : Liu Jun

客户确认 APPROVED BY

签名 :

日期 :

SIGN :

DATE :

结论 RESULT :

确认后请回传 PLEASE RETURN BY ONE COPY

● 特征

大功率，高饱和电流，低阻抗。

● 适合表面贴装。

● 用途

录像机、液晶显示器、笔记本电脑、通讯、设备、办公自动化等电子设备的电源扼流。

● 品名系统

RPCD 32 - 4R7
① ② ③

① 分类代码；HCJO是绕线贴片功率电感。

② 外形尺寸：31=3.5*3*1.6
32=3.5*3*2.1
43=4.5*4*3.2
53=5.8*5*3.5
54=5.8*5*4.5
75=7.8*7*5
105=10*9*5.4

③ 公称电感量：例如1R0=1.0μH
100=10μH

④ 电感公差：例如 K=±10%
M=±20%

⑤ 包装；T=编带 B=散料

● FEATURES

Various high power inductors are superior to be high saturation.

● Suitable for surface mounting equipment.

● APPLICATIONS

Power supply choke for small electrical equipments such as VTR, LCD display, Notebook, communication equipment, and so on.

● PRODUCT IDENTIFICATION

M T
④ ⑤

① Type , HCJO-Wire Wound SMD Power Inductor.

② External Dimensions : 31=3.5*3*1.6
32=3.5*3*2.1
43=4.5*4*3.2
53=5.8*5*3.5
54=5.8*5*4.5
75=7.8*7*5
105=10*9*5.4

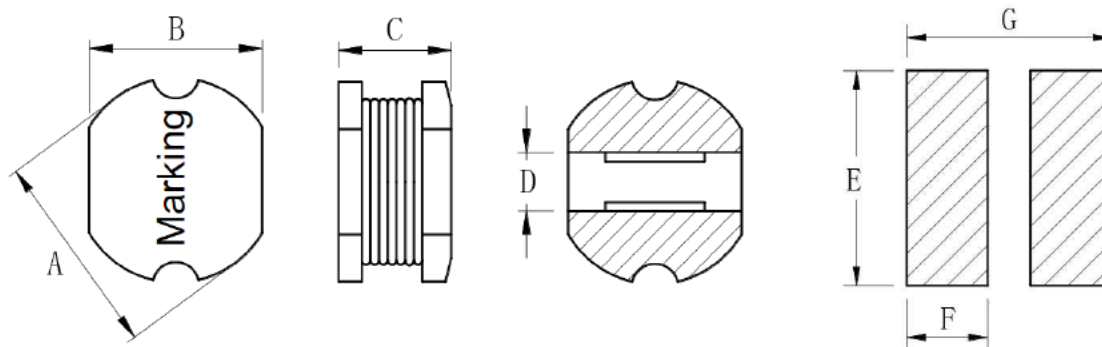
③ Nominal Inductance;Eg.1R0=1.0μH
100=10μH

④ Inductance Tolerance;Eg.K=±10%
M=±20%

⑤ Packing;T=Tape Carrier Package B=Bulk material

● 外观尺寸

● SHAPE AND DIMENSIONS



Unit: mm Unit: mm

Series	A	B	C	D typ.	E typ.	F typ.	G Typ
RPCD31	3.5±0.30	3.0±0.30	1.6±0.3	0.8	4	1.5	3.8
RPCD32	3.5±0.30	3.0±0.30	2.1±0.3	0.8	4	1.5	3.8
RPCD43	4.5±0.20	4.0±0.20	3.2±0.3	1.2	4.5	1.9	5.0
RPCD53	5.8±0.30	5.2±0.30	3.5±0.3	1.6	5.5	2.5	6.2
RPCD54	5.8±0.30	5.2±0.30	4.5±0.3	1.6	5.5	2.5	6.2
RPCD75	7.8±0.30	7.0±0.30	5.0±0.3	2.1	7.5	3.5	8.5
RPCD105	10±0.30	9.0±0.30	5.4±0.3	2.9	9.5	4.5	11.5

● 规格特性

● SPECIFICATIONS

RPCD3系列 (TYPE)

Part Number	Inductance	Test Condition	DCR(max)	IDC(max)
单位/Units	μH	Hz, V	Ω	A
符号/Symbol	L	-	DCR	I
RPCD31-2R2NT	2.2±30%	100k, 0.1V	0.24	1.20
RPCD31-3R3NT	3.3±30%	100k, 0.1V	0.27	1.08
RPCD31-4R7NT	4.7±30%	100k, 0.1V	0.30	1.00
RPCD31-5R6NT	5.6±30%	100k, 0.1V	0.36	0.90
RPCD31-6R8NT	6.8±30%	100k, 0.1V	0.47	0.80
RPCD31-100KT	10±10%	100k, 0.1V	0.55	0.70
RPCD31-220KT	22±10%	100k, 0.1V	1.20	0.40
RPCD31-330KT	33±10%	100k, 0.1V	1.30	0.35
RPCD31-470KT	47±10%	100k, 0.1V	1.50	0.30

误差 : N=±30% M=± 20% K =± 10%

Tolerance : N=±30% M = ± 20% K =± 10%

This indicates the value of current when the inductance is 25% lower than its initial value at D.C Superposition or D.C.current when at Δ t=40°C whichever is lower.

更多资讯, 请点击华容源官网 more information, Please click: www.walrony.com

RPCD3系列 (TYPE)

Part Number	Inductance	Test Condition	DCR(max)	IDC(max)
Units	μH	Hz, V	Ω	A
Symbol	L	-	DCR	I
RPCD32-2R2MT	2.2 \pm 20%	100k, 0.1V	0.085	1.60
RPCD32-3R3MT	3.3 \pm 20%	100k, 0.1V	0.120	1.05
RPCD32-4R7MT	4.7 \pm 20%	100k, 0.1V	0.135	1.00
RPCD32-5R6MT	5.6 \pm 20%	100k, 0.1V	0.145	0.95
RPCD32-6R8MT	6.8 \pm 20%	100k, 0.1V	0.200	0.95
RPCD32-100MT	10 \pm 20%	10k, 0.1V	0.320	0.90
RPCD32-150MT	15 \pm 20%	10k, 0.1V	0.460	0.75
RPCD32-220MT	22 \pm 20%	10k, 0.1V	0.650	0.60
RPCD32-330MT	33 \pm 20%	10k, 0.1V	0.920	0.50
RPCD32-470MT	47 \pm 20%	10k, 0.1V	1.270	0.45
RPCD32-680MT	68 \pm 20%	10k, 0.1V	2.000	0.26
RPCD32-101MT	100 \pm 20%	10k, 0.1V	2.500	0.20

误差 : N= \pm 30% M= \pm 20% K = \pm 10%

Tolerance : N= \pm 30% M = \pm 20% K = \pm 10%

This indicates the value of current when the inductance is 25% lower than its initial value at D.C Superposition or D.C.current when at $\Delta t=40^{\circ}\text{C}$ whichever is lower.

包装数量
3000个/盘

QUANTITY
3000pcs/Reel

规格特性

SPECIFICATIONS

RPCD4系列 (TYPE)

Part Number	Inductance	Test Condition	DCR(max)	IDC(max)
Units	μH	Hz, V	Ω	A
Symbol	L	-	DCR	I
RPCD43-1R0MT	1.0±20%	100k, 0.1V	0.049	2.56
RPCD43-1R5MT	1.5±20%	100k, 0.1V	0.056	2.52
RPCD43-2R2MT	2.2±20%	100k, 0.1V	0.071	1.75
RPCD43-3R3MT	3.3±20%	100k, 0.1V	0.086	1.44
RPCD43-4R7MT	4.7±20%	100k, 0.1V	0.109	1.15
RPCD43-6R8MT	6.8±20%	100k, 0.1V	0.131	0.95
RPCD43-8R2MT	8.2±20%	100k, 0.1V	0.132	1.26
RPCD43-100MT	10±20%	10k, 0.1V	0.182	1.04
RPCD43-120MT	12±20%	10k, 0.1V	0.210	0.97
RPCD43-150MT	15±20%	10k, 0.1V	0.235	0.85
RPCD43-220MT	22±20%	10k, 0.1V	0.378	0.68
RPCD43-270MT	27±20%	10k, 0.1V	0.522	0.62
RPCD43-330MT	33±20%	10k, 0.1V	0.540	0.56
RPCD43-390MT	39±20%	10k, 0.1V	0.587	0.52
RPCD43-470MT	47±20%	10k, 0.1V	0.844	0.44
RPCD43-680MT	68±20%	10k, 0.1V	1.117	0.37
RPCD43-101KT	100±10%	10k, 0.1V	1.44	0.30
RPCD43-151KT	150±10%	10k, 0.1V	1.80	0.22
RPCD43-221KT	220±10%	10k, 0.1V	2.57	0.20
RPCD43-331KT	330±10%	10k, 0.1V	5.00	0.12

误差：N=±30% M=±20% K=±10%

Tolerance：N=±30% M=±20% K=±10%

This indicates the value of current when the inductance is 25% lower than its initial value at D.C Superposition or D.C.current when at $\Delta t=40^{\circ}\text{C}$ whichever is lower.

包装数量
2000个/盘

QUANTITY
2000pcs/Reel

RPCD5系列 (TYPE)

Part Number	Inductance	Test Condition	DCR(max)	IDC(max)
Units	μH	Hz, V	Ω	A
Symbol	L	-	DCR	I
RPCD53-1R0MT	1.0±20%	100k, 0.1V	0.03	4.50
RPCD53-1R5MT	1.5±20%	100k, 0.1V	0.03	4.10
RPCD53-2R2MT	2.2±20%	100k, 0.1V	0.05	3.50
RPCD53-3R3MT	3.3±20%	100k, 0.1V	0.05	2.80
RPCD53-4R7MT	4.7±20%	100k, 0.1V	0.07	2.50
RPCD53-6R8MT	6.8±20%	100k, 0.1V	0.09	2.20
RPCD53-8R2MT	8.2±20%	100k, 0.1V	0.10	2.00
RPCD53-100MT	10±20%	10k, 0.1V	0.13	1.80
RPCD53-120MT	12±20%	10k, 0.1V	0.16	1.75
RPCD53-150MT	15±20%	10k, 0.1V	0.19	1.70
RPCD53-220MT	22±20%	10k, 0.1V	0.28	1.50
RPCD53-270MT	27±20%	10k, 0.1V	0.32	1.40
RPCD53-330MT	33±20%	10k, 0.1V	0.38	1.10
RPCD53-390MT	39±20%	10k, 0.1V	0.42	1.00
RPCD53-470MT	47±20%	10k, 0.1V	0.52	0.90
RPCD53-680MT	68±20%	10k, 0.1V	0.68	0.80
RPCD53-101KT	100±10%	1k, 0.1V	1.10	0.60
RPCD53-151KT	150±10%	1k, 0.1V	1.50	0.43
RPCD53-221KT	220±10%	1k, 0.1V	2.00	0.37

误差 : N=±30% M=± 20% K =± 10%

Tolerance : N=±30% M = ± 20% K =± 10%

This indicates the value of current when the inductance is 25% lower than its initial value at D.C Superposition or D.C.current when at $\Delta t=40^{\circ}\text{C}$ whichever is lower.

包装数量
2000个/盘

QUANTITY
2000pcs/Reel

RPCD54系列 (TYPE)

Part Number	Inductance	Test Condition	DCR(max)	IDC(max)
Units	μH	Hz, V	Ω	A
Symbol	L	-	DCR	I
RPCD54-1R0MT	1.0 \pm 20%	100k, 0.1V	0.020	5.00
RPCD54-1R5MT	1.5 \pm 20%	100k, 0.1V	0.025	4.20
RPCD54-2R2MT	2.2 \pm 20%	100k, 0.1V	0.035	3.80
RPCD54-3R3MT	3.3 \pm 20%	100k, 0.1V	0.045	3.30
RPCD54-4R7MT	4.7 \pm 20%	100k, 0.1V	0.060	3.00
RPCD54-6R8MT	6.8 \pm 20%	100k, 0.1V	0.080	2.10
RPCD54-8R2MT	8.2 \pm 20%	100k, 0.1V	0.090	2.00
RPCD54-100KT	10 \pm 10%	100k, 0.1V	0.100	1.44
RPCD54-120KT	12 \pm 10%	100k, 0.1V	0.120	1.40
RPCD54-150KT	15 \pm 10%	100k, 0.1V	0.140	1.30
RPCD54-220KT	22 \pm 10%	100k, 0.1V	0.180	1.11
RPCD54-270KT	27 \pm 10%	100k, 0.1V	0.200	0.97
RPCD54-330KT	33 \pm 10%	100k, 0.1V	0.230	0.88
RPCD54-390KT	39 \pm 10%	100k, 0.1V	0.320	0.80
RPCD54-470KT	47 \pm 10%	100k, 0.1V	0.370	0.72
RPCD54-680KT	68 \pm 10%	100k, 0.1V	0.460	0.61
RPCD54-101KT	100 \pm 10%	100k, 0.1V	0.700	0.52
RPCD54-151KT	150 \pm 10%	100k, 0.1V	1.100	0.40
RPCD54-221KT	220 \pm 10%	100k, 0.1V	1.570	0.35
RPCD54-331KT	330 \pm 10%	100k, 0.1V	1.700	0.28
RPCD54-471KT	470 \pm 10%	100k, 0.1V	2.300	0.23
RPCD54-102KT	1000 \pm 10%	100k, 0.1V	4.800	0.14

误差 : N= \pm 30% M= \pm 20% K = \pm 10%

Tolerance : N= \pm 30% M = \pm 20% K = \pm 10%

This indicates the value of current when the inductance is 25% lower than its initial value at D.C Superposition or D.C.current when at $\Delta t=40^{\circ}\text{C}$ whichever is lower.

包装数量

1500个/盘

QUANTITY

1500pcs/Reel

RPCD7系列 (TYPE)

Part Number	Inductance	Test Condition	DCR(max)	IDC(max)
Units	μH	Hz, V	Ω	A
Symbol	L	-	DCR	I
RPCD75-2R2MT	2.2 \pm 20%	100k, 0.1V	0.070	4.50
RPCD75-4R7MT	4.7 \pm 20%	100k, 0.1V	0.080	3.50
RPCD75-6R8MT	6.8 \pm 20%	100k, 0.1V	0.090	3.00
RPCD75-100KT	10 \pm 10%	100k, 0.1V	0.070	2.30
RPCD75-120KT	12 \pm 10%	100k, 0.1V	0.080	2.00
RPCD75-150KT	15 \pm 10%	100k, 0.1V	0.090	1.80
RPCD75-220KT	22 \pm 10%	100k, 0.1V	0.110	1.50
RPCD75-270KT	27 \pm 10%	100k, 0.1V	0.120	1.30
RPCD75-330KT	33 \pm 10%	100k, 0.1V	0.130	1.20
RPCD75-390KT	39 \pm 10%	100k, 0.1V	0.160	1.10
RPCD75-470KT	47 \pm 10%	100k, 0.1V	0.180	1.10
RPCD75-680KT	68 \pm 10%	100k, 0.1V	0.280	0.85
RPCD75-101KT	100 \pm 10%	100k, 0.1V	0.430	0.72
RPCD75-151KT	150 \pm 10%	100k, 0.1V	0.640	0.58
RPCD75-221KT	220 \pm 10%	100k, 0.1V	0.960	0.49
RPCD75-331KT	330 \pm 10%	100k, 0.1V	1.260	0.40
RPCD75-471KT	470 \pm 10%	100k, 0.1V	1.960	0.34
RPCD75-681KT	680 \pm 10%	100k, 0.1V	2.200	0.32
RPCD75-821KT	820 \pm 10%	100k, 0.1V	2.900	0.25
RPCD75-102KT	1000 \pm 10%	100k, 0.1V	3.900	0.20

误差 : N= \pm 30% M= \pm 20% K = \pm 10%

Tolerance : N= \pm 30% M = \pm 20% K = \pm 10%

This indicates the value of current when the inductance is 25% lower than its initial value at D.C Superposition or D.C.current when at $\Delta t=40^{\circ}\text{C}$ whichever is lower.

包装数量

1000个/盘

QUANTITY

1000pcs/Reel

RPCD10系列 (TYPE)

Part Number	Inductance	Test Condition	DCR(max)	IDC(max)
Units	μH	Hz, V	Ω	A
Symbol	L	-	DCR	I
RPCD105-100KT	10 \pm 10%	100k, 0.1V	0.060	2.60
RPCD105-120KT	12 \pm 10%	100k, 0.1V	0.070	2.45
RPCD105-150KT	15 \pm 10%	100k, 0.1V	0.080	2.27
RPCD105-220KT	22 \pm 10%	100k, 0.1V	0.100	1.95
RPCD105-270KT	27 \pm 10%	100k, 0.1V	0.110	1.76
RPCD105-330KT	33 \pm 10%	100k, 0.1V	0.120	1.50
RPCD105-390KT	39 \pm 10%	100k, 0.1V	0.140	1.37
RPCD105-470KT	47 \pm 10%	100k, 0.1V	0.170	1.28
RPCD105-680KT	68 \pm 10%	100k, 0.1V	0.220	1.11
RPCD105-101KT	100 \pm 10%	100k, 0.1V	0.350	0.97
RPCD105-151KT	150 \pm 10%	100k, 0.1V	0.470	0.78
RPCD105-221KT	220 \pm 10%	100k, 0.1V	0.730	0.66
RPCD105-331KT	330 \pm 10%	100k, 0.1V	1.150	0.52
RPCD105-471KT	470 \pm 10%	100k, 0.1V	1.480	0.42
RPCD105-681KT	680 \pm 10%	100k, 0.1V	2.250	0.28
RPCD105-821KT	820 \pm 10%	100k, 0.1V	2.550	0.24
RPCD105-102KT	1000 \pm 10%	100k, 0.1V	3.00	0.20

误差 : N= \pm 30% M= \pm 20% K = \pm 10%

Tolerance : N= \pm 30% M = \pm 20% K = \pm 10%

This indicates the value of current when the inductance is 25% lower than its initial value at D.C Superposition or D.C.current when at $\Delta t=40^{\circ}\text{C}$ whichever is lower.

包装数量
1000个/盘

QUANTITY
1000pcs/Reel